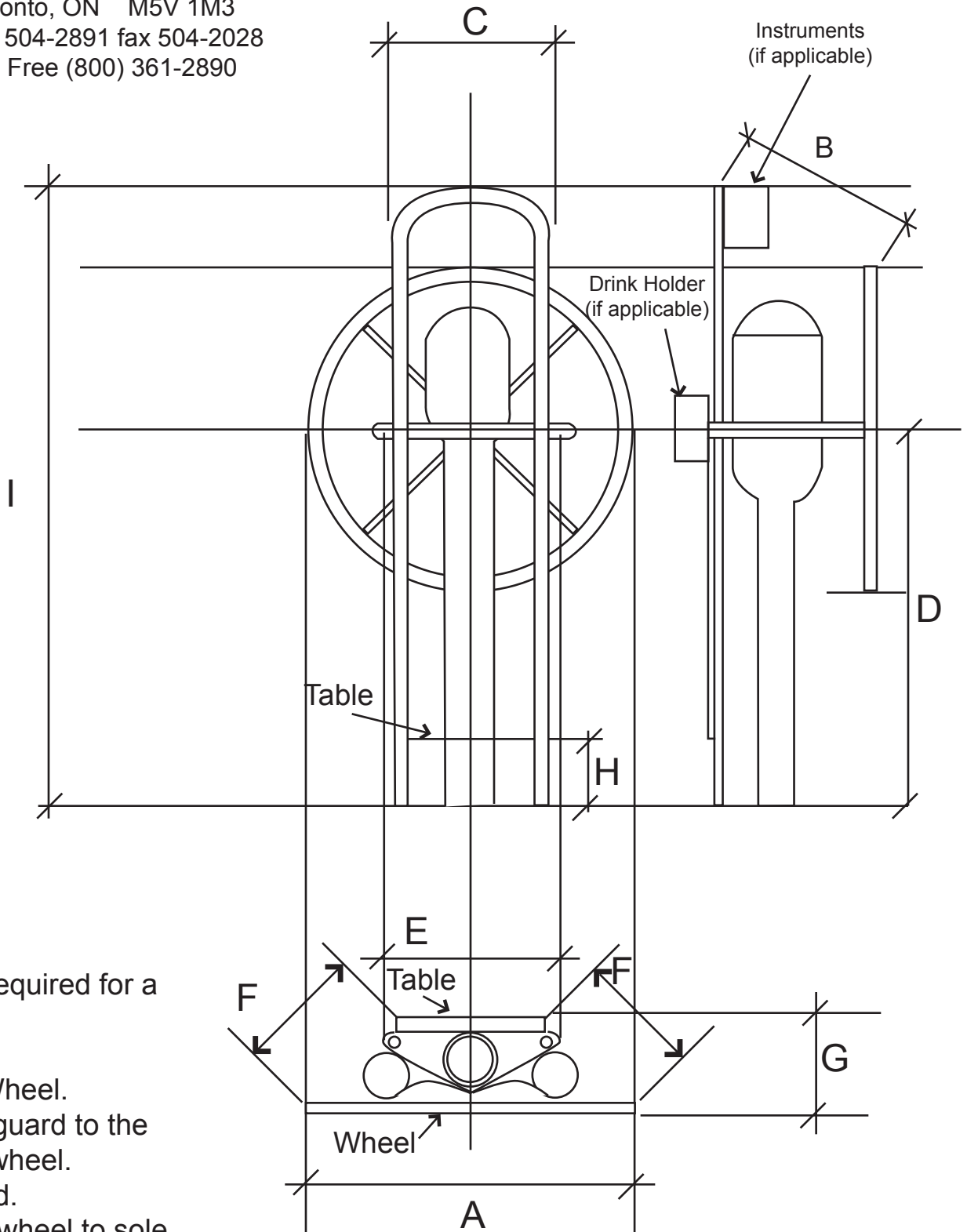




GENCO MARINE LTD.

544 King Street West
 Toronto, ON M5V 1M3
 (416) 504-2891 fax 504-2028
 Toll Free (800) 361-2890



Measurements required for a wheel cover:

- A. Diameter of Wheel.
- B. Height of the guard to the top of the wheel.
- C. Width of guard.
- D. Centre of the wheel to sole.
- E. Width of the guard (with or without table?)
- F. Diagonal measurement from the wheel to the guard (measure at 3:00 or 9:00 on wheel).
- G. Depth from the wheel to the front of guard.
- H. Table above sole.
- I. Height of guard.

Note: if drink holder and/or instruments are present, please supply width, depth and height